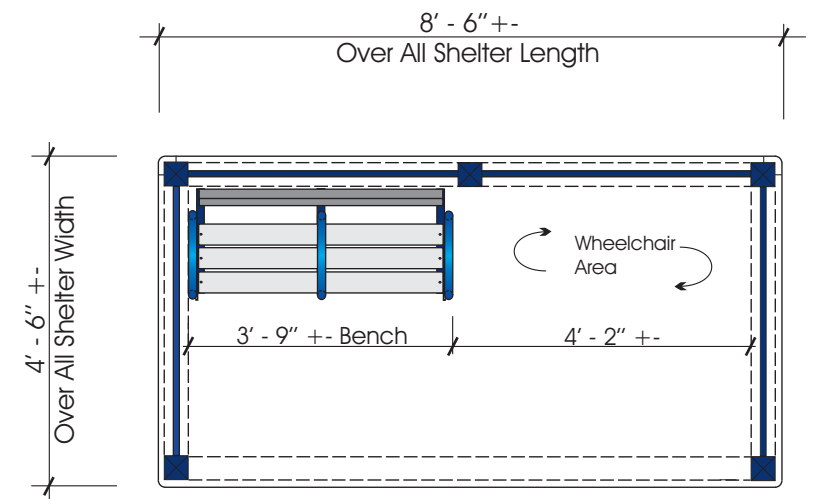
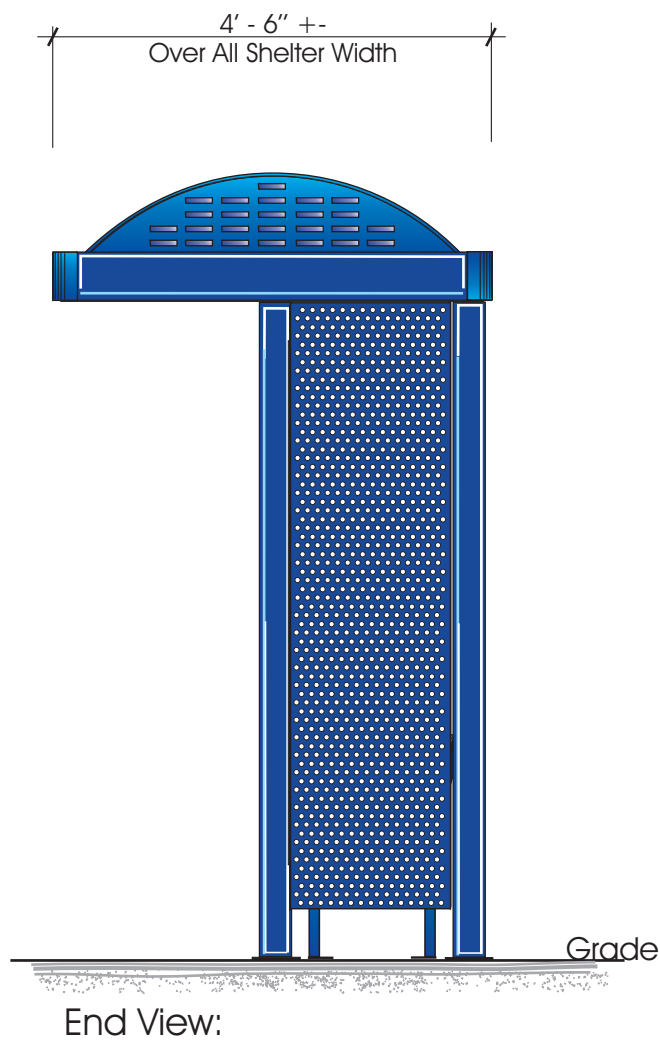
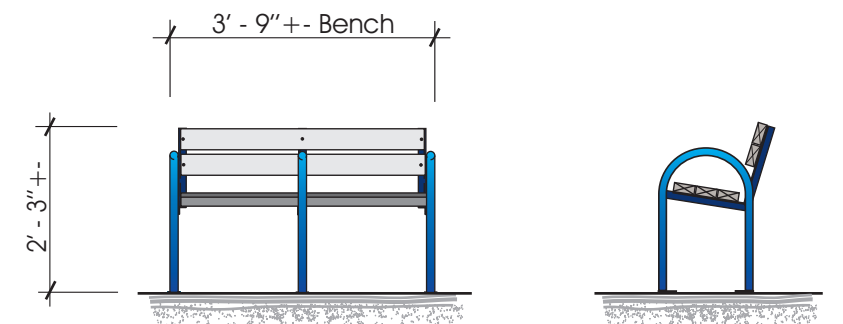


Front Elevation: Type B 1/2" = 1'-0"
 Shelters are aluminum and steel construction. Components are powder coated.
 Roof panels are White Translucent Lexan. Shelters are available with optional lighting.



Plan View
 3/8" = 1'-0"



Front View of Bench
 Rolled pipe frame with composite material seating.



Designers • Fabricators • Erectors
Architectural Metal Products
 1122 Lauder Road Houston, Texas 77039
 (281) 987-1144 fax (281) 987-9443

Job Name: DART Shelter Project
 Salesperson: Hank Hink
 Scale: Shown Date: 5-14-07
 Sheet 1 of 1

Installation Address: Various
 Work Order No.
 Artist Jgonzalez
 Drawing No. 13061-GXB

| Revisions No. | Date | By |
|---------------|------|----|
| 1 | | |
| 2 | | |
| 3 | | |
| 4 | | |

DART Shelter Type B
 4' - 6" +- x 8' - 6" +-
 Barrel Vault Roof Shelter