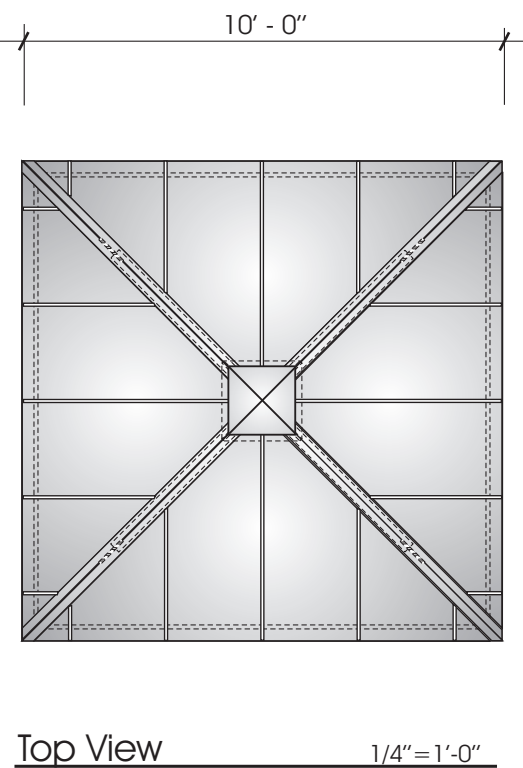
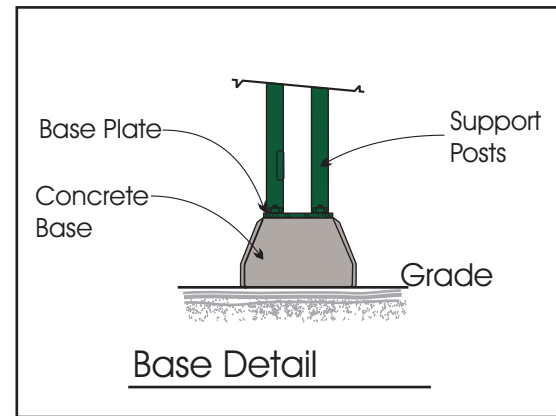
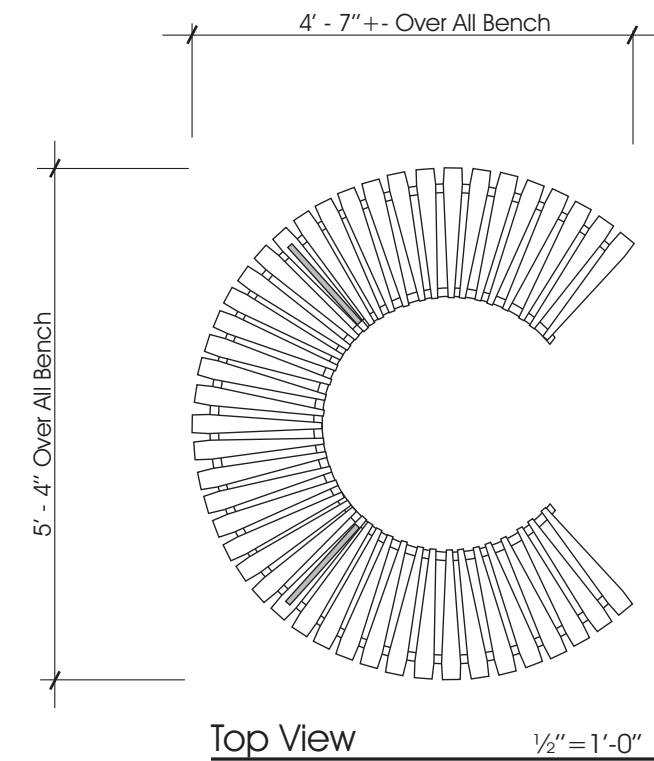


Elevation 3/8" = 1'-0"

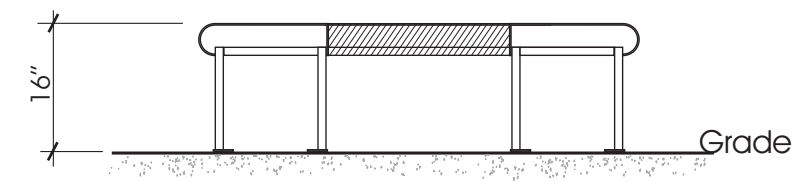
All steel frame construction with sheet metal standing seam roof. Steel Posts with pre-cast concrete bases. Roof is shown with Galvalume Finish but is available in a variety of colors. Shelter frame is shown in a Dk. Green finish but can be custom painted.



Top View 1/4" = 1'-0"



Top View 1/2" = 1'-0"



Elevation: 3/4 Round Bench 1/2" = 1'-0"

Neon Electric Corporation



Designers • Fabricators • Erectors
Architectural Metal Products

1122 Lauder Road Houston, Texas 77039
(281) 987-1144 fax (281) 987-9443

Job Name: 10'x 10' Hip Roof Shelter

Salesperson: Hank Hink

Scale: Shown Date: 8-01-06

Sheet 1 of 1

Installation Address: Various

Work Order No.

Artist: Jgonzalez

Drawing No. 13220-GX1010

Revisions

No.	Date	By
1		
2		
3		
4		

Shelter Model #1010

10' x 10' Hip Roof Shelter and
3/4 Round Steel Bench